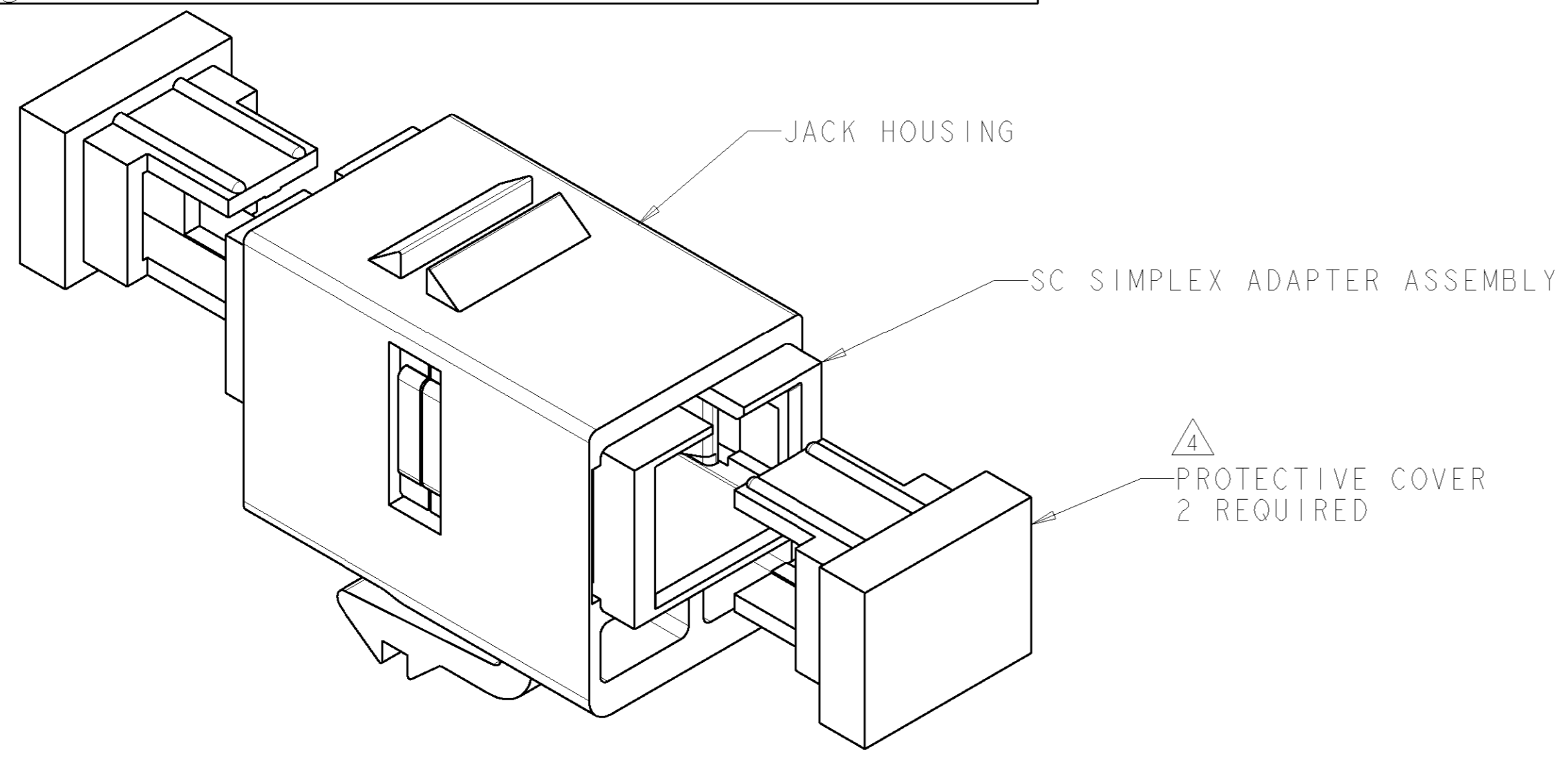
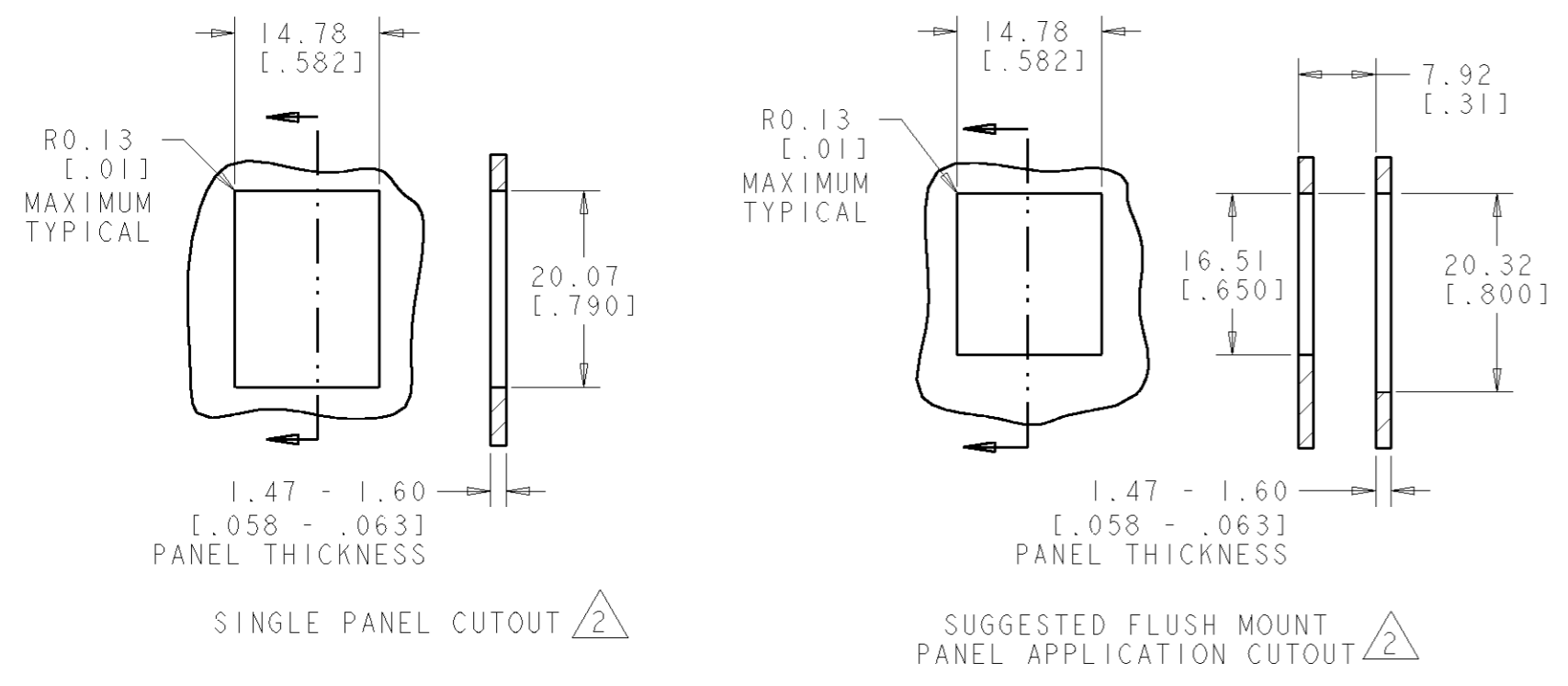
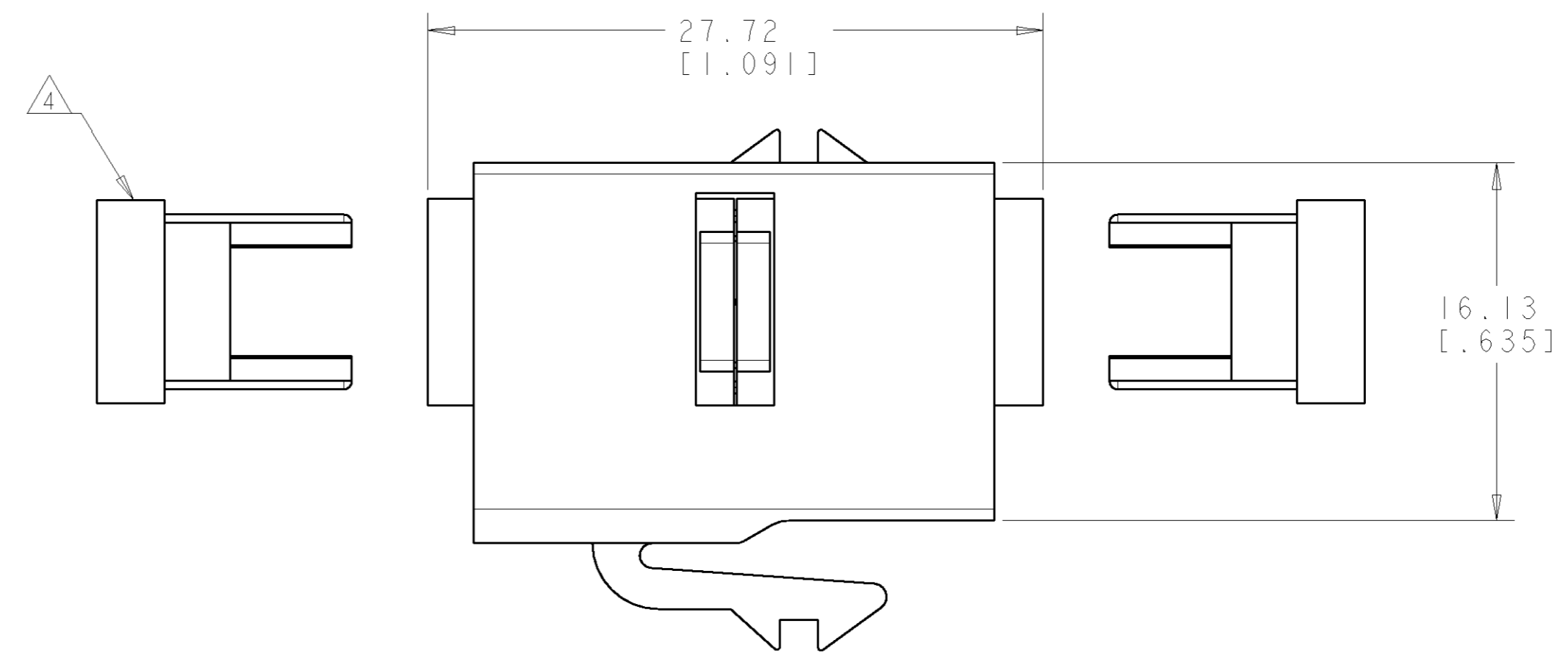
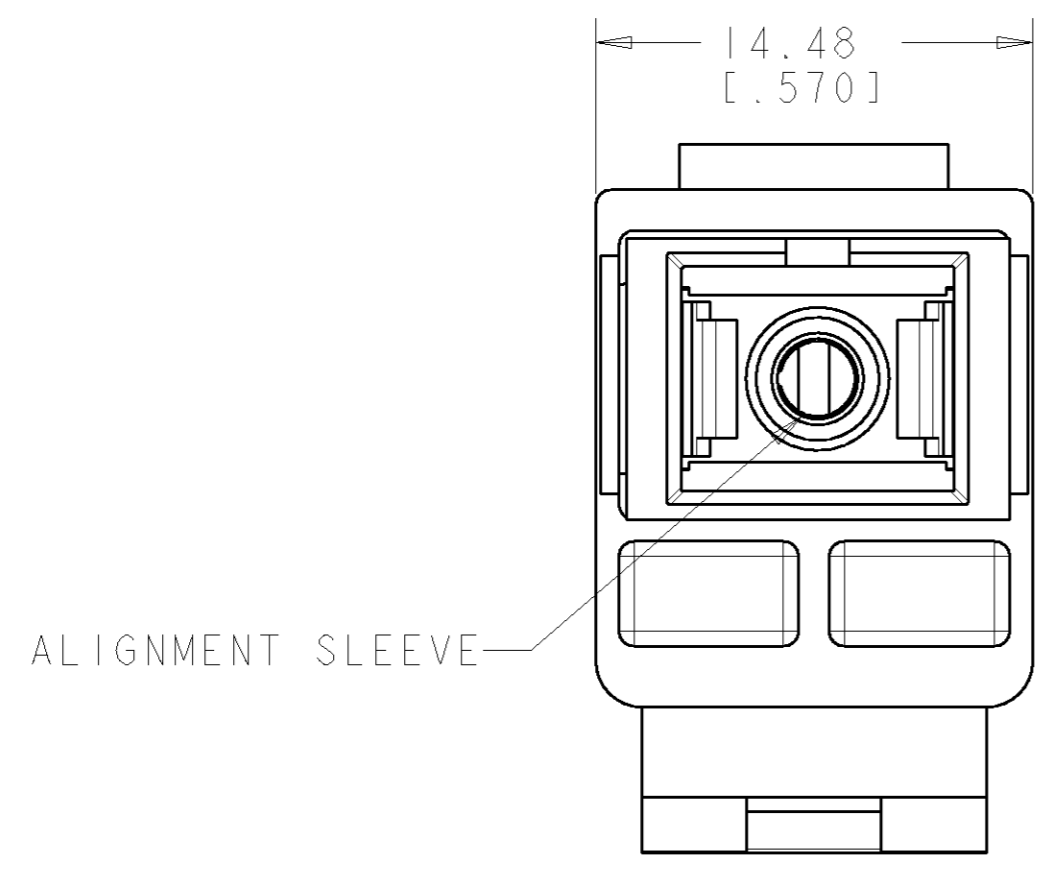


LOC	DIST	REVISIONS					
		P	LTR	DESCRIPTION	DATE	DWN	APVD
HM	00		A	RLSD; NSD06-003	17JAN2006	GG	GB



- 1 MATERIAL: JACK HOUSING - POLYPHENYLENE OXIDE, 94V-0 RATED. SEE TABLE FOR COLOR. SC DUPLEX ADAPTER HOUSING - ULTEM 1010R, BLACK. SLEEVE - CERAMIC.
- 2 THESE TWO SUGGESTED CUTOUT OPENINGS ARE USED IN TANDEM WITH DUAL FRONT AND BACK CUTOUTS.
- 3 PACKAGED ONE ASSEMBLY PER POLYBAG.
- 4 PROTECTIVE COVERS SHIPPED ASSEMBLED BUT SHOWN NOT ASSEMBLED.



3	ELECTRIC IVORY	1-1499836-1
	GRAY	1499836-4
	WHITE	1499836-3
	BLACK	1499836-2
	LIGHT ALMOND	1499836-1
PACKAGE	HOUSING COLOR	PART NUMBER

<small>THIS DRAWING IS A CONTROLLED DOCUMENT FOR TYCO ELECTRONICS CORPORATION. IT IS SUBJECT TO CHANGE AND THE CONTROLLING ENGINEERING ORGANIZATION SHOULD BE CONTACTED FOR THE LATEST REVISION.</small>		DWN G. GARRETT 17JAN2006 CHK G. BOWMAN 17JAN2006 APVD G. BOWMAN 17JAN2006	<b>tyco</b> Electronics Tyco Electronics Harrisburg, PA 17105-3608
DIMENSIONS: MM [INCHES]	TOLERANCES UNLESS OTHERWISE SPECIFIED: 0 PLC ± 1 PLC ± 2 PLC ± 3 PLC ± 4 PLC ± ANGLES ± FINISH	PRODUCT SPEC - APPLICATION SPEC - WEIGHT -	NAME ASSEMBLY, SC ADAPTER, CERAMIC SLEEVE, SL SERIES SIZE A2 CAGE CODE 00779 DRAWING NO. 1499836 RESTRICTED TO -
MATERIAL 1	CUSTOMER DRAWING	SCALE 4:1	SHEET 1 OF 1 REV A